

OPTIMUM 8



BEST DRIVING AND LIFTING EXPERIENCE

- > AC powered
- > High precision driving
- > Proportional and quick movements
- > Best turning radius

UTMOST VERSATILITY

- > Ability to go through standard doorways
- > Mobile potholes protection
- > Indoor - outdoor rated

MINIMAL MAINTENANCE AND DOWNTIME

- > Maintenance free AC motors
- > 2 easy access swing-out trays
- > Haulotte Activ'Screen (onboard diagnostic)
- > Smart transportability

LONGER LIFE TIME

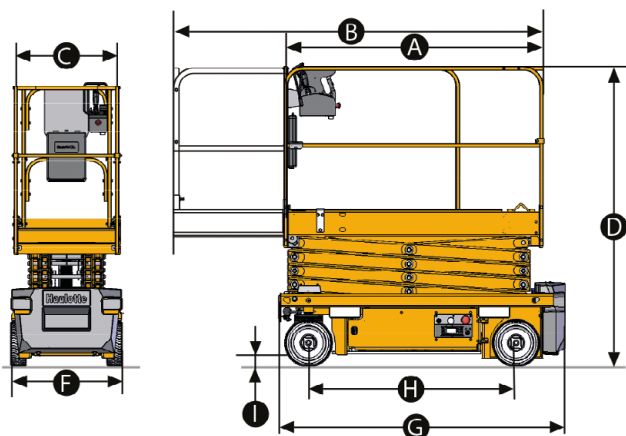
- > Haulotte Activ'Energy Management takes care of your batteries
- > Extreme robustness
- > Optimized total cost of ownership



ELECTRIC SCISSOR LIFTS

TECHNICAL DATA

| | OPTIMUM 8 |
|--------------------------------------|------------------|
| Working height | 7.77 m |
| Platform height | 5.77 m |
| Max. drive working height | 5.77 m |
| Lift capacity - inside | 230 kg (2 pers.) |
| Lift capacity - outside | 230 kg (1 pers.) |
| Lift capacity on the extension | 230 kg |
| A Platform length - outside | 1.72 m |
| B Platform length - extended | 2.59 m |
| Length - extension | 0.86 m |
| C Platform width - outside | 0.74 m |
| D Height - stowed | 1.98 m |
| F Overall width | 0.79 m |
| G Length | 1.9 m |
| H Wheelbase | 1.38 m |
| I Ground clearance - center | 8.7 cm |
| Ground clearance - deployed potholes | 2 cm |
| Drive speed | 0.5 - 4.5 km/h |
| Gradeability | 25 % |
| Tilt | 1.5° / 3° |
| Turning radius - outside | 1.5 m |
| Batteries | 24 V - 225 Ah |
| Hydraulic system capacity | 7 l |
| Weight | 1 590 kg |



STANDARD EQUIPMENT

- > Haulotte Activ'Energy Management: Smart CAN charger
- > 24 V electric drive brushless AC motors
- > Battery level indicator on upper and lower control boxes
- > Haulotte Activ'Screen (battery charge, Hourmeter, service alert & failures icons in code or in full text...)
- > Pothole guards
- > 2 swing out trays
- > Lateral fork lifting pockets
- > 2 front steering and 2 rear driving wheels
- > Proportional controls
- > Electric or manual break release system
- > Tilt sensor
- > Lifting and stowage points
- > Non marking tyres

OPTIONS AND ACCESSORIES

- > Haulotte Activ'Energy Management: automatic or manual batteries waterfilling system
- > Folding guardrails
- > AC power to platform
- > Hydraulic oil for cold countries
- > Telematics ready
- > Flashing light
- > Dual flashing lights
- > Working light
- > Panel carrier
- > Pipe cradle

